



20 SERIES

- Ranges from 16 inH₂O to 58 psig (1,600 inH₂O)
- Hart® protocol output available
- 316 Stainless Steel wetted parts
- Strong flush diaphragm with minimal fill volume
- Can be cleaned-in-place (CIP) or steamed-in-place (SIP)
- Meets 3A requirements



APPLICATIONS

- Food & beverage
- Dairy
- Chemical processing
- Pharmaceutical

FEATURES & BENEFITS

- All Stainless Steel housing
- Easy programming and range adjustment without test pressure via on-board display
- Accuracy 0.1% of adjusted span
- 10:1 turn down
- Active temperature compensation
- Hart® protocol optional
- 360° rotatable display

SPECIFICATIONS

Output signals	4 mA to 20 mA 2-wire, 4 mA to 20 mA 2-wire and Hart® signal
Pressure ranges	16 inH ₂ O to 58 psig (1,600 inH ₂ O)
Accuracy	0.1% of adjusted span
Stability	<0.1%/year
Adjustment	By 3 push buttons on display or optional Hart® signal
Response time	<150 ms
Service life	>10 years
Temperature ranges	-4 °F to 212 °F (-20 °C to 100 °C); 293 °F (145 °C) for 45 min.
Power requirement*	12 Vdc to 36 Vdc
Measuring element	316 Stainless Steel (Hastelloy C, Tantalum or Goldplated optional)
Connection	316 Stainless Steel
Housing material	304 Stainless Steel
Environmental rating	IP66 (IP68 optional)
Electrical protection	IP66 (NEMA 4X), IP68 (NEMA 6) optional
Weight	Approximately 3.3 lb. (Depending on process connection)

* Unregulated

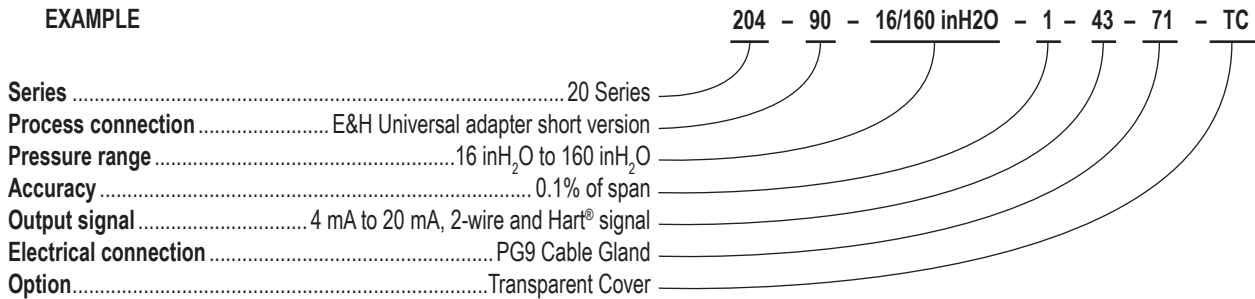


ORDERING INFORMATION			
SERIES	204		
PROCESS CONNECTIONS	90 E&H Universal adapter short version	95 King Gage Standard - 6"	
	91 E&H Universal adapter long version	96 King Gage Long - 8"	
	92 Anderson Negele Type SL Short	97 Rosemount Tank Spud - 2"	
	93 Anderson Negele Type SL Long - 6"	98 Rosemount Tank Spud - 6"	
	94 King Gage Short	99 Tank Mate Medium - 6"	
PRESSURE RANGES (Adjustable)*	16/160 inH ₂ O 16 inH ₂ O to 160 inH ₂ O (.06 psig to 6 psig)	6/58 psig 6 psig to 58 psig (160 inH ₂ O to 1,600 inH ₂ O)	
	47/470 inH ₂ O 47 inH ₂ O to 470 inH ₂ O (1.7 psig to 17 psig)		
ACCURACIES	1 0.1% of adjusted span		
OUTPUT SIGNALS	1 4 mA to 20 mA, 2-wire	43 4 mA to 20 mA, 2-wire and Hart® signal	
ELECTRICAL CONNECTIONS	25 M12 x 1 (4-pin)	71 PG9 Cable Gland	
OPTIONS	28 1/2" NPT Female		
	TC Transparent Cover (for display)		

Please consult your local NOSHOK Distributor or NOSHOK, Inc. for availability and delivery information.

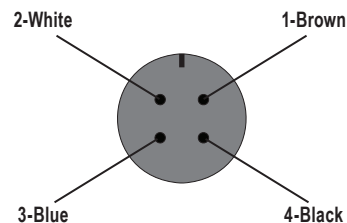
*Other ranges available, consult factory

EXAMPLE



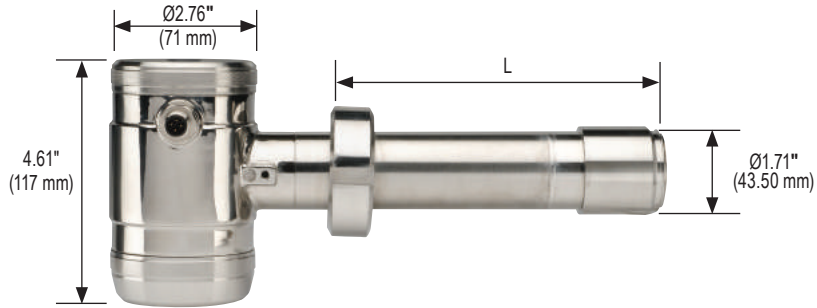
M12 x 1 (4-PIN) WIRING

1	Brown	V+
2	White	V-
3	Blue	Not used
4	Black	Not used



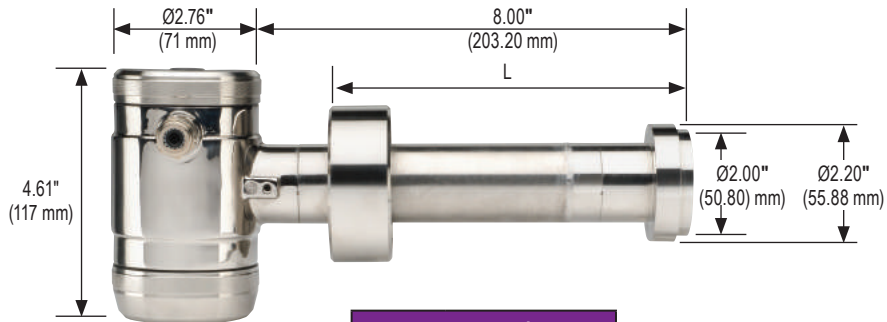
Dimensions

204-91 (E&H Universal adapter)



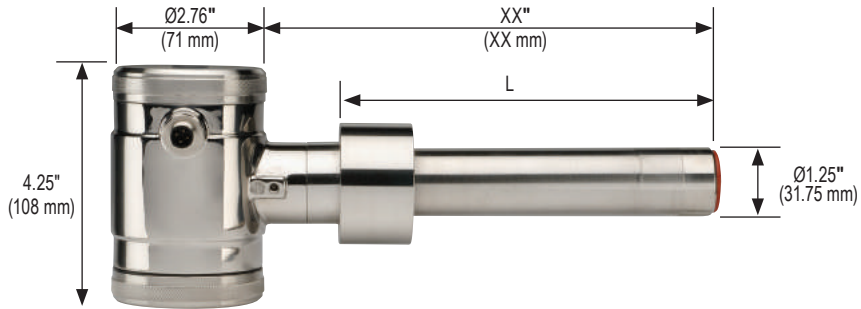
L	
Short	2.16" (54.86 mm)
Long	5.93" (150.50 mm)

204-93 (Anderson Negele Type SL)



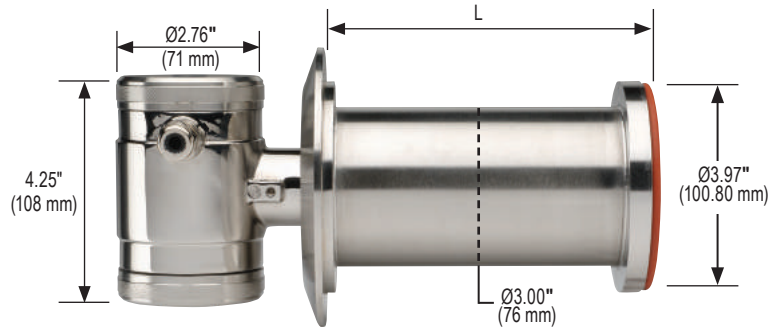
L	
Short	2.05" (52.0 mm)
Long	6.36" (161.50 mm)

204-95 (King Gage)



L	
Short	2.19" (55.63 mm)
Standard	6.62" (168.15 mm)
Long	8.81" (223.77 mm)

204-98 (Rosemount Tank Spud)



L	
Short	2.11" (53.58 mm)
Long	6.11" (155.19 mm)

204-99 (Tank Mate)

